

# AGM

Holding the World's Insulation in Place

## PRONGED INSULATION HANGARS

This specialty type perforated hanger is used to secure insulation. After the insulation is impaled over the prongs, a slotted washer is installed. AGM TACTOO adhesive is used to install the plates.

### Specifications

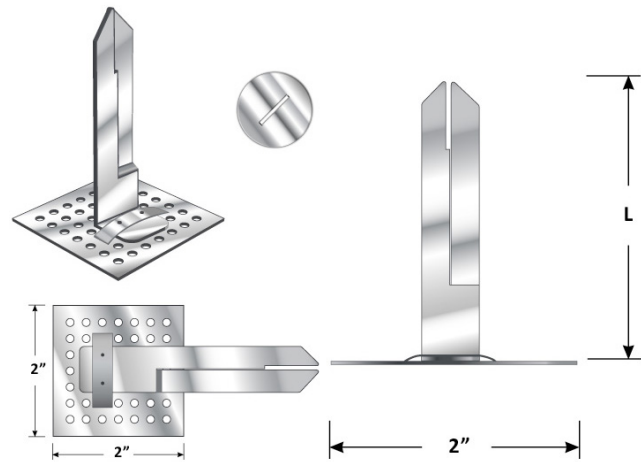
Length: 2-3/4", for use up to 2" insulation  
4-3/4", for use up to 4" insulation

### Material

- Galvanized steel perforated plate
- Galvanized steel prongs

### Packaging

- 500 pcs/carton



AGM Industries, Inc., 16 Jonathan Drive, Brockton, MA 02301

Phone: (508) 587-3900 | Fax: (508) 587-3283 | sales.agm@comcast.net | www.agmind.com