

AGM

Holding the World's Insulation in Place

RESISTANCE PINS

This style pin is welded with a Resistance Welder to ductwork. The insulation is then impaled over the pin and a washer is attached, to secure the insulation.

Specifications

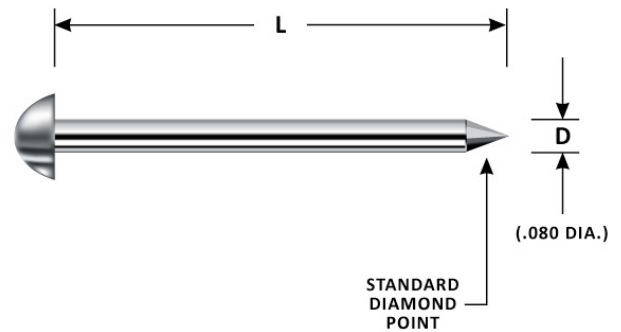
14 gauge diameter spindle

Material

- Mild Steel

Other Specifications

- Self-locking Washers available in a variety of sizes and configurations.



AGM Industries, Inc., 16 Jonathan Drive, Brockton, MA 02301

Phone: (508) 587-3900 | Fax: (508) 587-3283 | sales.agm@comcast.net | www.agmind.com