

AGM

Holding the World's Insulation in Place

SELF-ADHERING TACTOO® HANGARS

TACTOO® Self-Adhering Hangers are designed to attach insulation to clean, dry, smooth, non-porous surfaces. After the hanger is installed, the insulation is impaled over the spindle & secured with a self-locking washer. Due to the nature of adhesives, it is important that the user read & follow the guidelines. It is the responsibility of the user to determine the suitability of the intended application.

Specifications

D	P	L
12 ga (.106)	2" Square w/tape	1"
12 ga (.106)	2" Square w/tape	1-5/8"
12 ga (.106)	2" Square w/tape	2"
12 ga (.106)	2" Square w/tape	2-1/2"
12 ga (.106)	2" Square w/tape	3-1/2"
12 ga (.106)	2" Square w/tape	4-1/2"
12 ga (.106)	2" Square w/tape	5-1/2"
12 ga (.106)	2" Square w/tape	6-1/2"
12 ga (.106)	2" Square w/tape	8"

Standard Lengths listed above. Other lengths and diameters available as Special Order.

Material

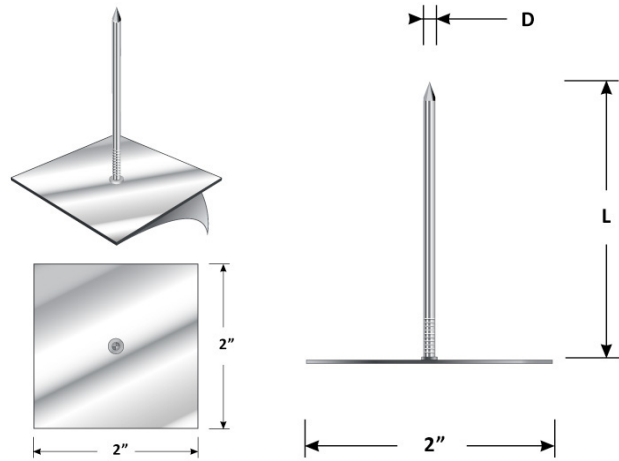
- Galvanized Steel (Standard)
- Available in Stainless Steel or Aluminum as special order

Packaging

- 1,000 pcs/ctn up to 2-1/2"
- 500 pcs/ctn up to 8"
- 100 pc packaging also available
- Hangers are available packed with, or without washers

Advantages

- Application of hangars is clean, fast & simple
- 4-step process with no tools required
- No adhesive required
- No toxic fumes
- Positive adhesion



AGM Industries, Inc., 16 Jonathan Drive, Brockton, MA 02301

Phone: (508) 587-3900 | Fax: (508) 587-3283 | sales.agm@comcast.net | www.agmind.com