

AGM

Holding the World's Insulation in Place

TACTOO® ANNULAR RING HANGARS

TACTOO® Navy Hangars are secured with TACTOO® General Purpose Adhesive, specially formulated to bond to metal, masonry and other sound substrates. Surfaces must be clean and dry before adhesive is applied. Some protective coatings are not compatible with adhesives and it is recommended that the user make test bonds before proceeding with the application. Please see AGM Data Sheet GPA for more complete information regarding use, application, storage, etc.

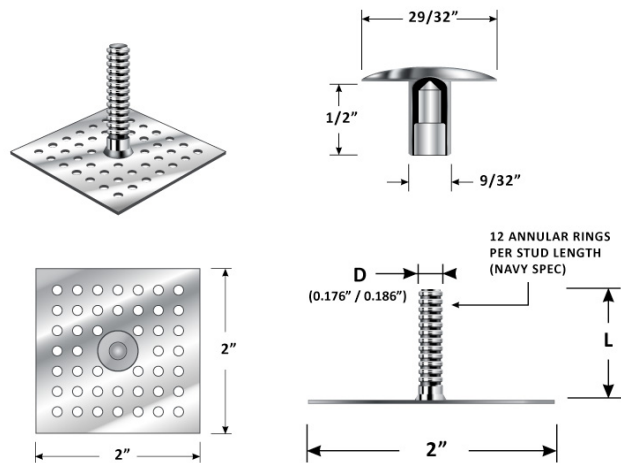
A perforated hanger with a stud that has annular rings. This is normally used for insulating boats/ship hulls and is covered by a Military Spec. A special Mushroom style Drive-On cap is used with these hangers, to secure the insulation.

Specifications

D	Plate	L
.176/.186	2" Square	7/8"
.176/.186	2" Square	1-7/8"
Available in longer lengths, as special order		

Material

- Available Steel or Aluminum
- Annular Ring Drive-On Caps available in Aluminum only



AGM Industries, Inc., 16 Jonathan Drive, Brockton, MA 02301

Phone: (508) 587-3900 | Fax: (508) 587-3283 | sales.agm@comcast.net | www.agmind.com