

AGM

Holding the World's Insulation in Place

90° INSULATION ANGLE HANGER

This type of perforated hanger is used for applications that require a 90° angle for installing insulation. The insulation is impaled over the nail and secured with a self-locking washer. The hanger can be secured with TACTOO® Adhesive or mechanically.

Specifications

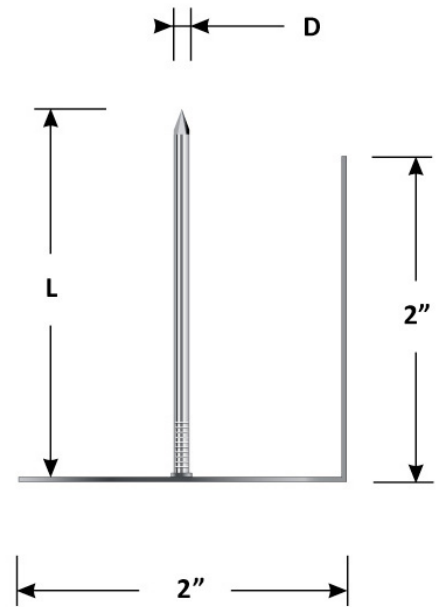
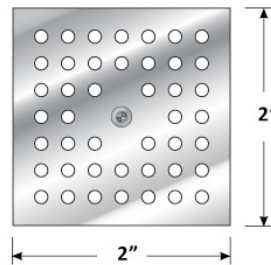
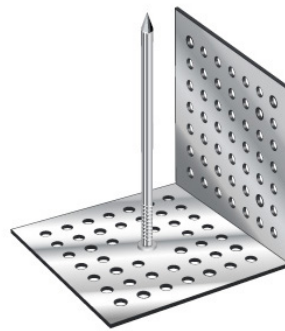
Diameter "D"	Length "L"	Packaging
12 ga (.106)	2 1/2"	500
12 ga (.106)	3 1/2"	500
12 ga (.106)	4 1/2"	500
12 ga (.106)	5 1/2"	500
12 ga (.106)	6 1/2"	500

Material

Mild Steel

Finish

Galvanized



AGM Industries, Inc., 16 Jonathan Drive, Brockton, MA 02301

Phone: (508) 587-3900 | Fax: (508) 587-3283 | sales@agmind.com | www.agmind.com