

AGM

Holding the World's Insulation in Place

CLUTCH CLIPS

Clutch Clips are used when an air space is required behind the insulation.

Specifications

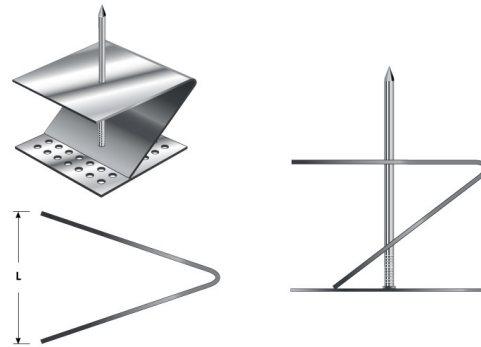
- Available in 1" or 2"

Material

- Galvanized steel

Application

- The clutch clip is dropped over the installed 5 lb. hanger.
- Insulation is impaled over the nail and secured with a self-locking washer



AGM Industries, Inc., 16 Jonathan Drive, Brockton, MA 02301

Phone: (508) 587-3900 | Fax: (508) 587-3283 | sales@agmind.com | www.agmind.com