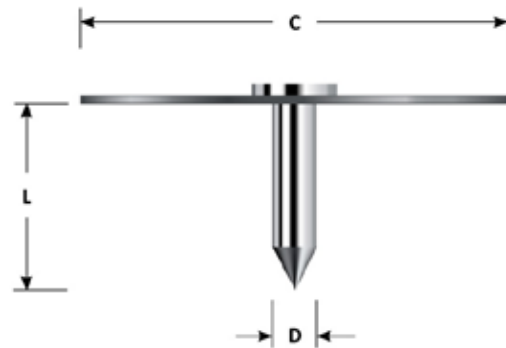


AGM

DYNAPOINT® WELD PINS

Specifications

D	C	L
.135	1"	1/2" min.



Part No. Pack Wgt/M Recommended Use

RP-9-0500-5	5M	6.5	For 1/2" Duct Liner
RP-9-0750-5	5M	7.6	For 1" Duct Liner
RP-9-1000-5	5M	8.6	For 1" High Density Duct Liner
RP-9-1500-3	3M	10.0	For 1 1/2"-2" Duct Liner
RP-9-1875-3	3M	11.5	For 1 7/8" Duct Liner
RP-9-2000-3	3M	12.0	For 2" Duct Liner

Materials

	SPINDLE	WASHER
Material Specification	Mild Steel	Mild Steel
Plating	Zinc/Galvanized	Zinc/Galvanized

AGM Industries, Inc., 16 Jonathan Drive, Brockton, MA 02301

Phone: (508) 587-3900 | Fax: (508) 587-3283 | sales.agm@comcast.net | www.agmind.com