

AGM

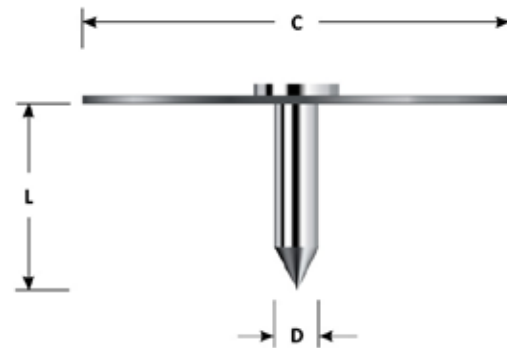
Holding the World's Insulation in

DYNAPOINT® WELD PINS

Specifications

| D | C | L |
|------|----|-----------|
| .135 | 1" | 1/2" min. |

*Longer lengths available upon request



| Part No. | Pack | Wgt/M | Recommended Use |
|-------------|------|-------|----------------------------------|
| RP-9-0500-5 | 5M | 6.5 | For 1/2" Duct Liner |
| RP-9-0750-5 | 5M | 7.6 | For 1" Duct Liner |
| RP-9-1000-5 | 5M | 8.6 | For 1" High Intensity Duct Liner |
| RP-9-1500-3 | 3M | 10.0 | For 1 1/2-2" Duct Liner |
| RP-9-1875-3 | 3M | 11.5 | For 1 7/8" Duct Liner |
| RP-9-2000-3 | 3M | 12.0 | For 2" Duct Liner |

Materials

| | SPINDLE | WASHER |
|------------------------|-----------------|-----------------|
| Material Specification | Mild Steel | Mild Steel |
| Plating | Zinc/Galvanized | Zinc/Galvanized |

AGM Industries, Inc., 16 Jonathan Drive, Brockton, MA 02301

Phone: (508) 587-3900 | Fax: (508) 587-3283 | sales@agmind.com | www.agmind.com